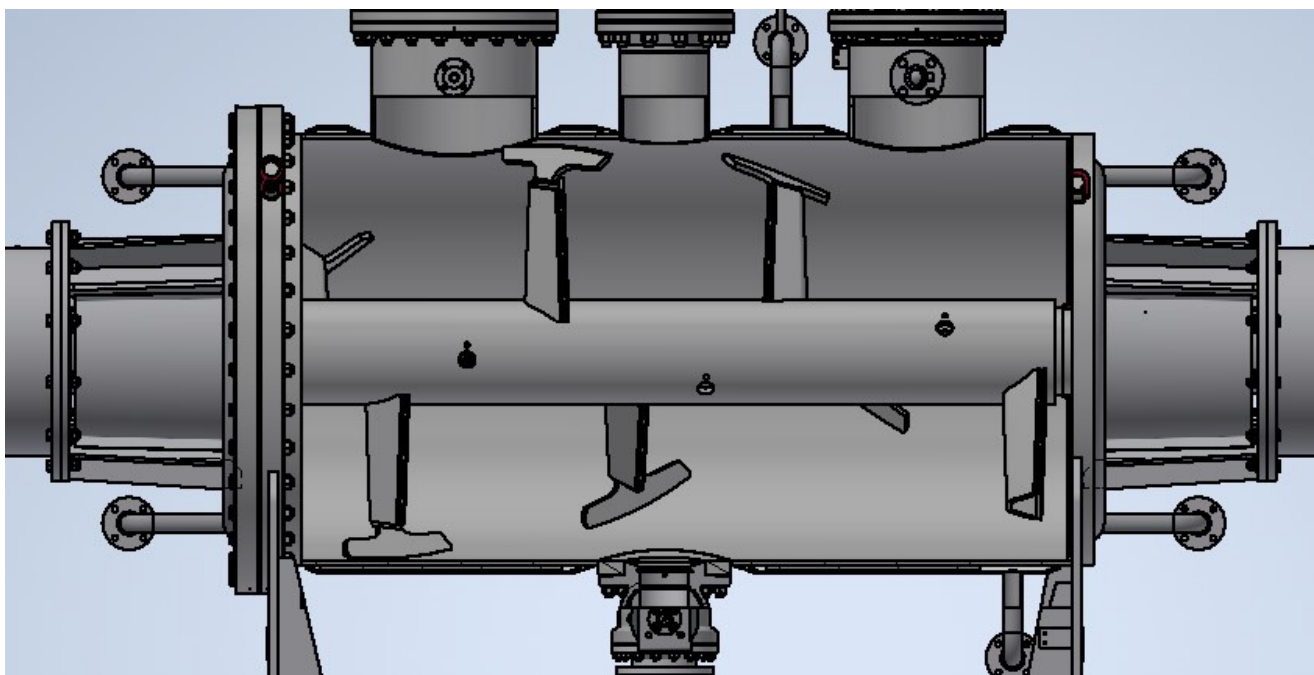


RPD - THERMAL CLEANING UNIT

Remediation Technology for large volumes



GENERAL INTRODUCTION

The RPD is a high efficiency thermal cleaning unit particularly suitable when processing large volumes, such as contaminated soil, excavation masses, drill mud, sludges, etc.

The RPD uses thermal cleaning technology to separate pollutants from contaminated material in a safe and energy efficient way and designed for 24/7 operation. It operates under vacuum hence and requires less energy than comparable techniques during the process to gasify hydrocarbons and pollutants. The RPD is available in sizes from 1.000 l up to 30 000 l with parallel dryers.



The RPD solution is a semi-mobile unit preferably assembled on site. After a mission is completed, it can be dismantled and transported in parts to be reassembled in a suitable location for the next project.

TECHNICAL SPECIFICATIONS

RPD 10000

10.000 l and up to 550°C thermal oil heating

Footprint:	14 x 5 x 12 m
Heating (Electrical or Gas):	400 kW
Power consumption:	280 kW

RPD 5000

5.000 l and up to 550°C thermal oil heating

Footprint:	10 x 4 x 9 m
Heating (Electrical or Gas):	200 kW
Power consumption:	140 kW

RPD 1000

1.000 l and up to 550°C thermal oil heating

Footprint:	7 x 3 x 6 m
Heating (Electrical or Gas):	80 kW
Power consumption:	70 kW

PURCHASE SPECIFICATIONS AND ADDITIONAL OPTIONS

Complete semi-mobile installation including the following units:

- Feeding system (without crushing)
- Two vacuum batch dryers each 20 m³
- Vacuum- and Condensation units for water condensate and oil/water/pollutant condensate
- Process Cooling system
- Thermal oil heating system 400°C, Electrical heating up to 550°C
- Product cooling and remoistening system
- Discharge system into local discharge box/area
- Exhaust gas treatment unit according to local standards
- Complete Steelwork, -frames stairway and platforms for unit
- Complete electrical wiring for unit
- Container for electrical cabinets and operator control room

Options:

- Parallel dryers
- ATEX
- Cooling unit
- Exhaust air treatment
- UPS
- Emergency power supply
- Cooling mixer
- Water condensation treatment unit
- Support with permits

